



Solartron Metrology's Orbit Network and digital products combine to provide a complete dimensional measurement and data acquisition system. In addition to interfacing with Solartron's own range of sensors and mechanical interfaces, the Orbit Network can also host a variety of third party sensors.

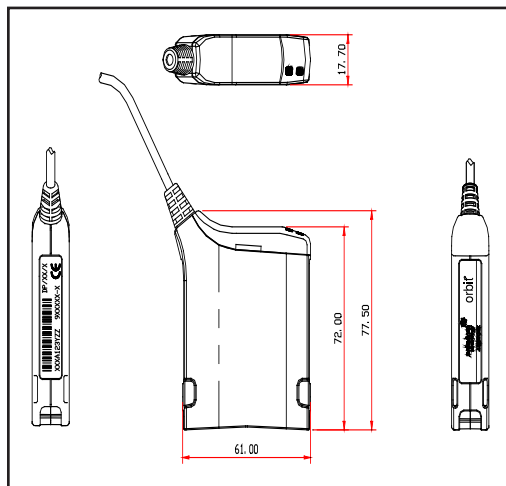
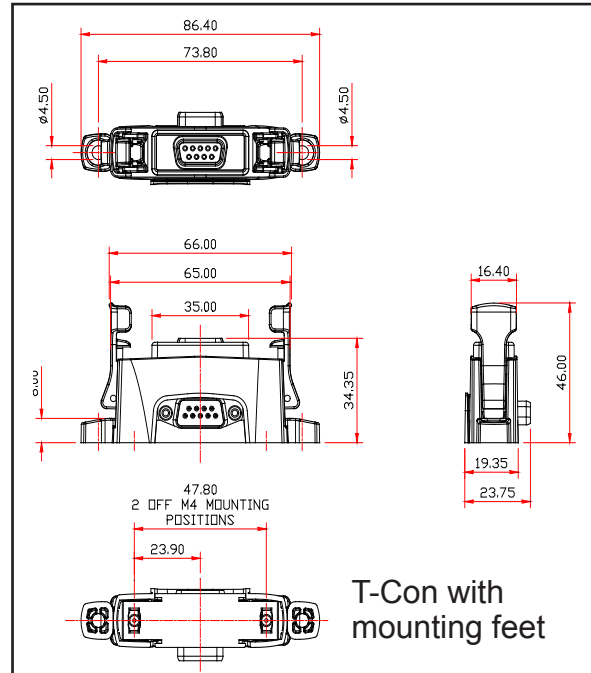
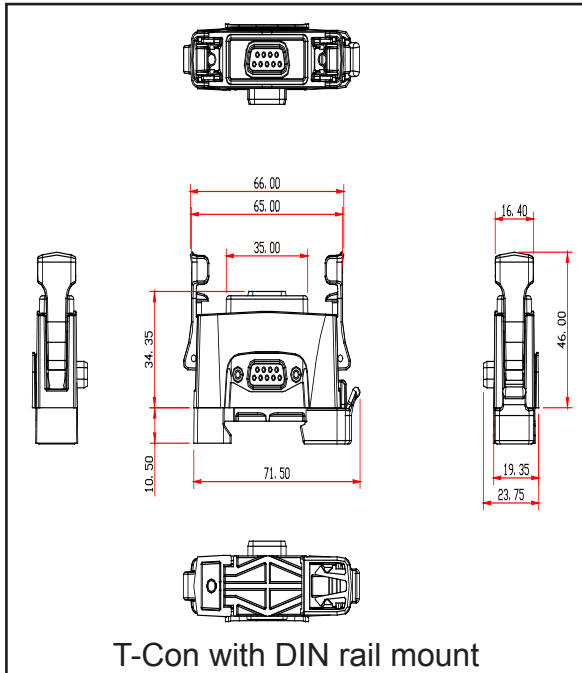
Orbit3 is comprised of controllers and modules, these are used to perform measurements as well as some control functions. The modules and controllers can be networked together to form a highly versatile "plug and go" measurement system.

Orbit3 can be hosted in a PC using the Orbit network card, it can also be connected to a PLC via RS 232 Interface and in the future an Ethernet module. There is also a range of single, dual and multiple input Orbit3 digital readouts available that can output into a PLC or PC using RS232.

Additions to Orbit2

- Improved Accuracy - 0.05%
- Hot Swap Capability
- 100 Channels into single PCI Card
- DIN rail mount option (includes PSIM)
- Probe fault indication
- Low Supply Voltage indication
- Data transmission indication
- 30% lighter
- IP65 Option
- Improved clamping - excellent vibration resistance
- Connector option
- Ethernet Option – 2010

orbit³



Note:
T-Con supplied with DIN rail mount fitted as standard. Feet are supplied as a user replaceable option

| Mechanical Orbit Devices | | | |
|--------------------------|-----------------|---|-----------------------------|
| | Measuring Range | Actuation | Measurement Modes |
| Digital Probe | 1, 2, 5, 10, 20 | Spring Push, Pneumatic, Feather Touch | Standard, Dynamic, Buffered |
| Mini Probe | 0.5 | Spring Push | Standard, Dynamic, Buffered |
| Block Gauge | 2, 5 and 10 | Spring Push, Pneumatic | Standard, Dynamic, Buffered |
| Flexure Gauge | 2 | Spring Push | Standard, Dynamic, Buffered |
| Lever Probe | 0.5 | Spring Push, low tip force (5 g minium) | Standard, Dynamic, Buffered |
| Linear Encoder | 12 and 25 | Spring Push, Pneumatic | Standard |
| Digital Displacement | 2 to 200 | Free, Spring Push | Standard, Dynamic, Buffered |

orbit 3

| Electrical Orbit Devices | | | |
|--|---|---|---|
| | Input/Output | Description | Measurement Modes |
| Orbit Network Card Controller | 2 channel PCI card | Can interface 100 modules per card channel | Standard, Dynamic, Buffered |
| RS2322 Interface Module - Orbit Controller | 1 channel RS232 | Can interface 100 modules | Standard |
| USB Orbit Controller | 1 channel USB | 4 modules using computer 31 modules with PSIM | Standard |
| DR600/DR700 Readouts | up to 31 modules | Can interface 31 digital probes, mini probes, block gauges, flexure gauges, lever probes or linear encoders | N/A |
| SI7500 Readout | up to 16 modules | Multi axis-metrology display which provides SPC analysis | N/A |
| SI3500 Readout | up to 2 modules | Readout with analogue and discrete outputs plus maths | N/A |
| SI1500 Readout | 1 module | Single channel readout | N/A |
| Analogue Input Module | 4-20 mA Current Loop (2 wire or 3 wire) 0-10 VDC or ± 10 VDC | Interfaces to physical sensors with DC output | Standard, Dynamic, Buffered |
| Encoder Input Module | TTL | Interfaces rotary and linear scale encoders | Standard, Dynamic, plus Dynamic control |
| Digital Input / Output Module | 8 digital lines | Interfaces to discrete switches and provide switch outputs | Standard |
| Power Supply Interface Module | AC input 90 V to 246 V DC input 10 V to 30 V | Provides power to Orbit modules | N/A |



solartron
metrology

Offices worldwide

Agent and distributor details available at
www.solartronmetrology.com

United Kingdom - Head Office
Solartron Metrology
Steyning Way
Bognor Regis
West Sussex
PO22 9ST
Tel: +44 (0) 1243 833333
Fax: +44 (0) 1243 833322
Sales.solartronmetrology@ametek.com

Germany
Ametek GmbH
Solartron Metrology Division
Rudolf-Diesel-Strasse 16
40670 Meerbusch
Tel: +49 (0) 2159 9136 500
Fax: +49 (0) 2159 9136 505
vertrieb.solartron@ametek.de

France
Solartron Metrology
Rond-point de l'Espine des Champs
Buroplus - Bat. D
Elancourt 78990
Tel: +33 (0)1 30 68 89 50
Fax: +33 (0)1 30 68 89 59
france.solartronmetrology@ametek.com

China
Shanghai
Solartron Metrology
Rm 912, Metro Tower
No 30 Tian Yao Qiao Road
Shanghai 200030
Zhong Renmin Gongheguo
Tel: +86 21 6426 8111
Fax: +86 21 6426 7054
china.solartronmetrology@ametek.com

Beijing
Solartron Metrology
Rm 912, Metro Tower
No 30 Tian Yao Qiao Road
Shanghai 200030
Tel: +86 21 6426 8111
Fax: +86 21 6426 7054
china.solartronmetrology@ametek.com

Chengdu
AMETEK ChengDu Rep Office
Room 2408, Zongfu Building
35 Zongfu Road
Chengdu, Sichun, 610016
Tel: +86 28 8675 8111
Fax: +86 28 8675 8141
china.solartronmetrology@ametek.com

Japan
Solartron Metrology
4-5-37 Kamiosaki
Shinagawa-ku
Tokyo 141-0021
Tel: +81 (0)3 3494 5131
Fax: +81 (0)3 3494 5134
japan.solartronmetrology@ametek.com

USA
915 N. New Hope Road
Suite C,
Gastonia, NC 28054
Tel: +1 800 873 5838
Fax: +1 704 868 8466
usasales.solartronmetrology@ametek.com

Solartron pursues a policy of continuous development. Specifications in this document may therefore be changed without notice.

AMETEK
ULTRA PRECISION TECHNOLOGIES